

## FABRICATION MANUAL **CCM Copper Composite**

You discover why ALPOLIC® Copper composite material (CCM) is the building material of the future as soon as you fabricate it. Our CCM is as easy to fabricate as wood: no special tools are required. It can be curved, bent, routed, drilled, sawed, sheared, punched, trimmed and molded into complex shapes with conventional woodworking or metalworking tools. ALPOLIC® CCM's versatility makes it readily adaptable to many other standard systems that are available from a variety of vendors, including rout & return systems, glazed-in systems and creative custom systems. **ALPOLIC CCM is not recommended for use in an edge grip system.** In addition, you can create complex assemblies with ALPOLIC® CCM in combination with polyethylene welding and support systems attached with structural adhesives. With Copper composite materials care must be taken to isolate the copper skins from dissimilar metals to prevent galvanic corrosion from occurring. Stainless steel fasteners are recommended and an isolating coating or shims should be used with the mounting extrusions.

Care also should be taken when handling the copper materials after removal of the protective film to prevent fingerprints and hand marks. Our CCM panels have natural copper skins which will oxidize and patina over time. For further design, detailing and fabrication guidance, please refer to the materials in this section, or go to [www.alpolic-usa.com](http://www.alpolic-usa.com). For samples or a list of authorized ALPOLIC® fabricators, please call the ALPOLIC® Hotline toll-free at 1-800-422-7270, or e-mail us at [info@alpolic.com](mailto:info@alpolic.com).

## Visual Consistency

Copper is a natural metal and there will be variations in appearance from coil to coil. All panels for a building elevation should be fabricated from the same lot. The natural copper surface will oxidize and some variation in appearance may be noticeable due to differences in the environment the panels are exposed to.

ALPOLIC CCM is produced using Revere Copper Products, Inc. Architectural copper coil. Please contact the ALPOLIC® Hotline at 1-800-422-7270, or e-mail us at [info@alpolic.com](mailto:info@alpolic.com) for a copy of the Revere Copper Architectural Copper Warranty.

positive T indicates expansion and negative DT indicates contraction.

# PROPERTIES

Thermal Expansion/Contraction

**Thermal expansion/contraction must be considered when designing with ALPOLIC® CCM.**

**To calculate thermal expansion/contraction, use the following equations:**

**Thermal Expansion/Contraction (inches) = 12 x Cth x T(°F) x L(feet)**

**Cth = Coefficient of thermal expansion (4.21 x 10<sup>-6</sup> in length, 2.97 x 10<sup>-5</sup> in the width dimension)**

**L = Length of ALPOLIC CCM panel**

**T = Ta - Ti where Ta is the actual temperature and Ti is the temperature when ALPOLIC was fabricated or installed. A**

## Production Tolerance

<b>Width</b>	<b>±0.08" (2mm)</b>
<b>Length</b>	<b>±0.16" (4mm)</b>
<b>Thickness</b>	<b>±0.008" (.2mm) ±0.012" (.3mm)</b>
<b>Bow</b>	<b>Maximum 0.5% of the length and/or width</b>
<b>Squareness</b>	<b>Maximum 0.2"</b>

## Wind Load Deflection

**Wind load deflection depends on the thickness, aspect ratio, span and boundary condition (whether ALPOLIC® CCM is simply supported or fixed).**

For more information and calculations for wind load and deflection please refer to the download section of [ALPOLIC-USA.com](http://ALPOLIC-USA.com).

For the 4 mm CCM panel:

$$Eap \cdot t_{ap}^2 = 9.15 \cdot 10^3 \text{ lbf} \cdot \text{in}$$

# MECHANICAL PROCESSING

## *Cutting/Saw*

ALPOLIC® CCM can be easily cut using standard woodworking saws (i.e. circular hand saw or panel saw). A carbide tip blade made for light metal and plastic is the most suitable for cutting ALPOLIC® CCM (Refer to next page).

## *Cutting/Shear*

Square shear cutting is the easiest method for cutting large panels. Some shear droop may result at the cut part of the copper surface material.

For shear cutting ALPOLIC® CCM : recommended rake angle for shear cutting as listed below.

<i>Thickness of ALPOLIC®</i>	<i>Clearance</i>	<i>Rake angle</i>
3 mm	0.002"	1°
4 mm	0.002"	1° 30'
6 mm	0.008"	2° 30'

## *Edge Finishing*

When a smooth finished edge is required on ALPOLIC® CCM, the following equipment can be used to provide the specific requirements: woodworking planer or shaper, tenoning machine or milling machine.

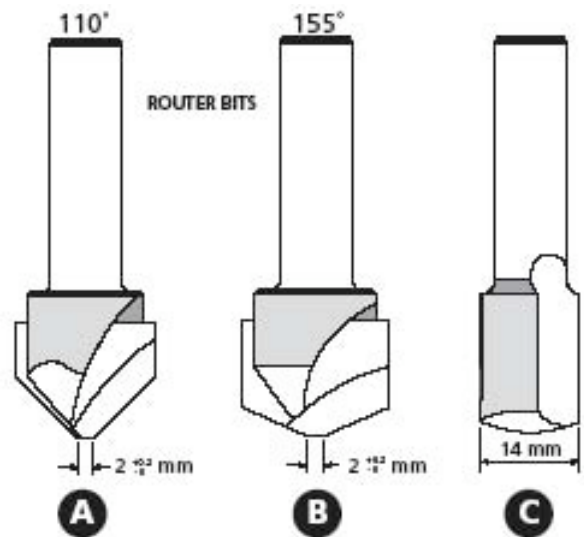
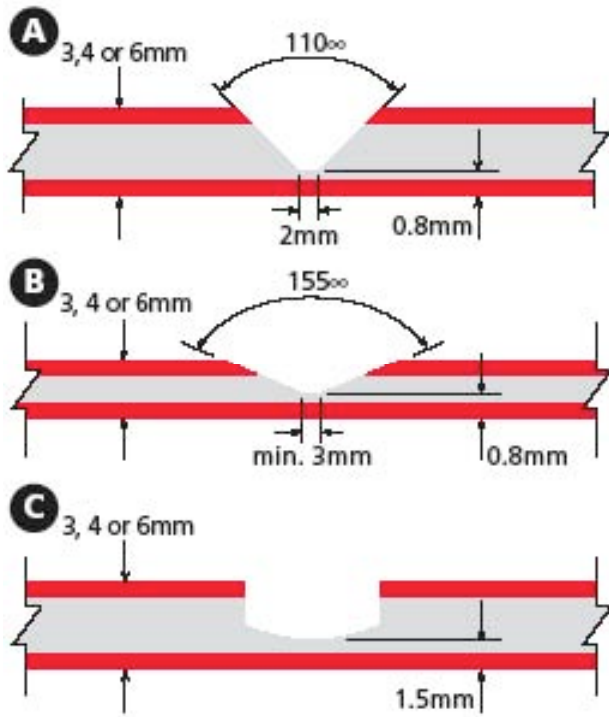
The edging process provides smooth, crisp, clean edges, to insure clean joint intersections or to create a detailed frame effect when angled.

## *Processing*

Because of ALPOLIC® CCM's composite makeup, the following process is required to fabricate sharp angle bends. This requires routing or cutting either a 'V' or 'U' groove in the ALPOLIC® CCM, as shown, to provide the required bend.

Observe the following recommendations in 'U' or 'V' cut processing:

The 'U' or 'V' cut bottom should not reach to the back of the Copper. Leave about 0.008 - 0.016" of polyethylene core.



CHANGE THE WIDTH OF THE FLAT ON TOOL B TO 3 MM

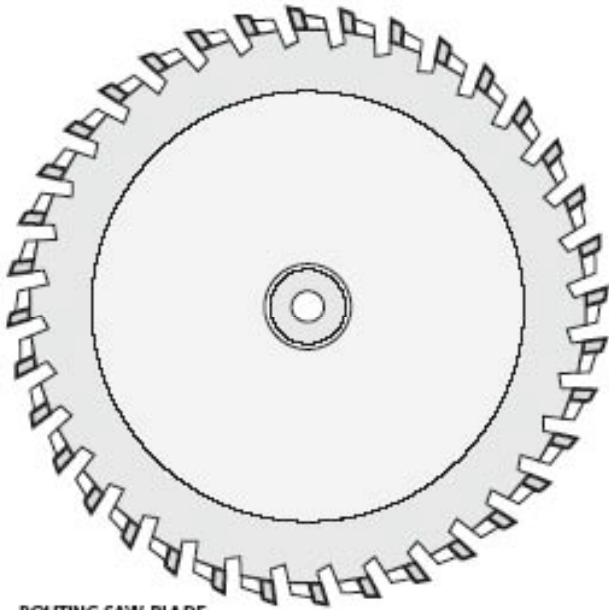
#### Router and Trimmer Tools

Use the bit as shown in the drawings below, which corresponds to the cut diagrams above.

Number of teeth	2 - 4
Rotation speed	20,000 - 30,000 rpm
Feeding speed	10 - 16 ft/min.
Material	Carbide

Saw/Milling Cutters

<b>Carbide Tip Saw Example</b>	
<b>Outside diameter</b>	<b>12" 0</b>
<b>Number of teeth</b>	<b>36 (saw) 8 (grooving)</b>
<b>Rotation speed</b>	<b>3,000 - 5,000 rpm (variable motor)</b>
<b>Feeding speed</b>	<b>16 ft/min.</b>



ROUTING SAW BLADE

**Bending**

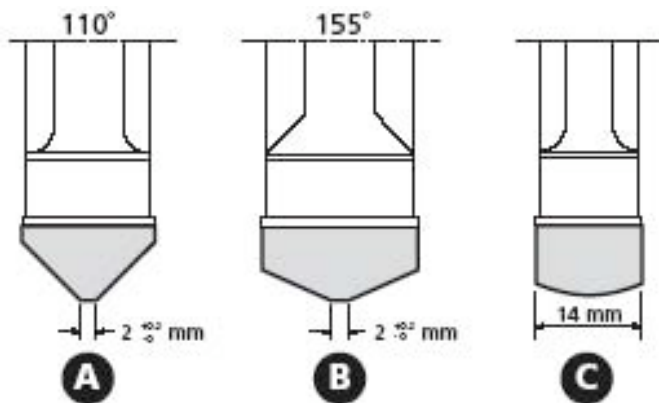
ALPOLIC® CCM should be processed on a flat surface, void of irregularities, to insure consistency in the depth of the 'V' or 'U' grooving. This will insure a smooth clean edge when bent.

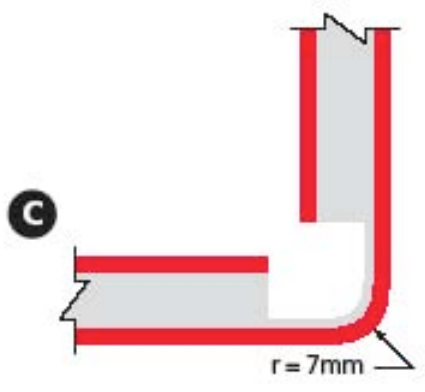
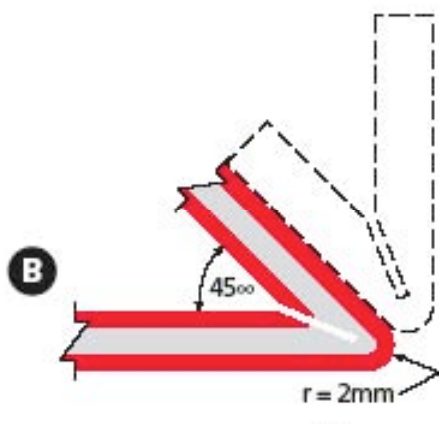
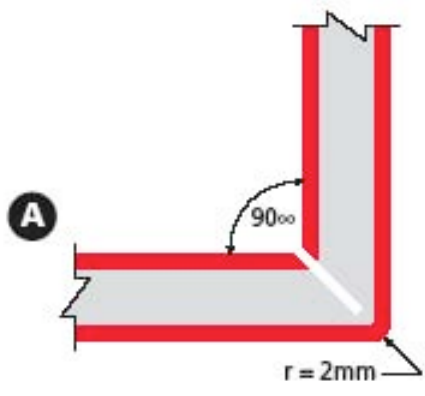
If available, a plate or break press should be used to bend processed ALPOLIC® CCM. When this is not possible a simple bending jig made of wood or metal is recommended.

When ALPOLIC® CCM is processed with a 'V' groove and bent at 90°, the finished panel dimension will increase by approximately 1/8". This should be factored into the panel dimensions before final fabrication. It is advisable to do a preliminary test to insure the proper adjustment necessary.

Observe the following recommendations in 'V' or 'U' cut processing:

The 'V' or 'U' cut bottom should not reach to the back of the copper. Leave about 0.008 - 0.016" of polyethylene core. **CHANGE THE FLAT ON TOOL B TO 3 MM**





### Curving

ALPOLIC®CCM can be easily curved using any of the following processes: Press Break, Roll Bender, or Pipe Fixture.

The following are guidelines and limitations for curving ALPOLIC®CCM panels.

#### NOTES:

#### Press Brake

The minimum bending radius using a press brake is shown in the following table.

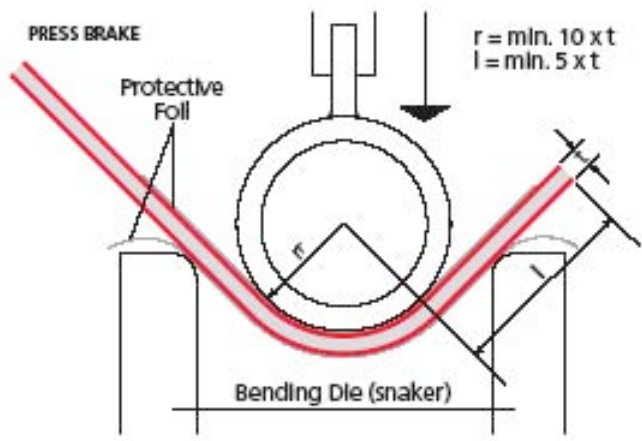
#### The Minimum Bending Radius with a Press Brake, 90° Bending and Internal Radius

<i>Thickness of ALPOLIC</i>	<i>Traverse (width)</i>	<i>Parallel (Length)</i>
3 mm	1 1/2"	2"
4 mm	1 1/2"	2"
6 mm	2"	3"

Guidelines in bending process:

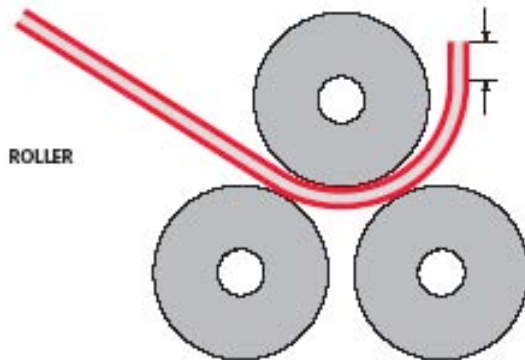
Because the Copper surface material can be easily scratched, it is recommended that the following precautions be taken:

- a) To prevent scratches, a protective pad should be used on the die of the press brake.
- b) Pay attention to any scratches on the punch. It is recommended to use a fully polished punch.
- c) To prevent scratching, it is best to leave the factory applied protective film on the ALPOLIC®CCM during processing. Be sure there are no air bubbles or wrinkles before processing.
- d) With ALPOLIC®CCM, the volume of spring back varies somewhat in relationship to the bending direction, thickness, material temperature and the radius of the required bending angle.



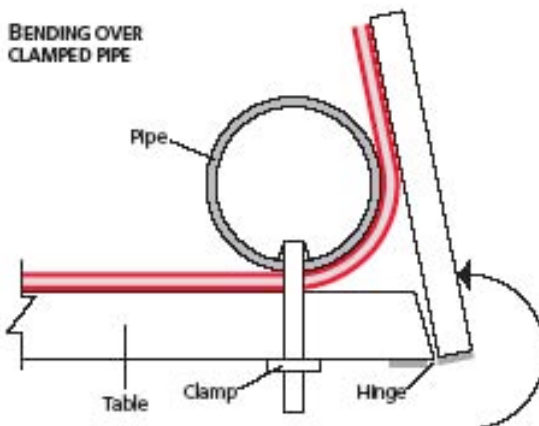
Bending with a Roller Bender:

**A Roller Bender enables a larger bending radius than a press brake. The bending angle is determined by the diameter of the roll and the distance between the rolls. However a flat surface will appear at the beginning and the end of the panel. When this is not acceptable, it will be necessary to cut off and remove the flat surface in the finish fabrication process.**



Bending with Clamped Pipe Fixture:

**ALPOLIC® CCM can be bent over a pipe of the proper inside diameter that is securely clamped to a table. A hinged leaf attached to the end of the table will make bending easier. Initial bending beyond 90 may be required to compensate for any memory spring back.**

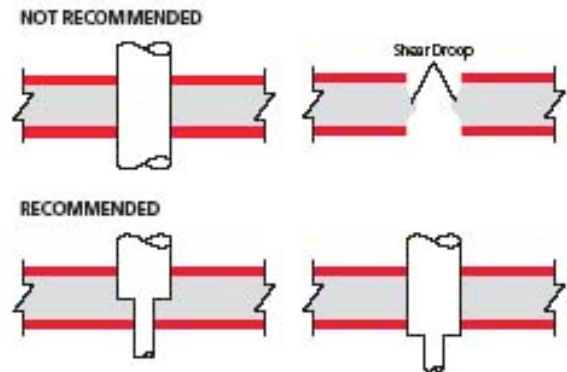


## Punching/Drilling

Punching

Punching with a press sometimes causes shear droop in the copper surface material similar to shear cutting. It is preferable that the clearance of punch and die be made as small as possible (thickness of panel times 5% ).

In the case of a small diameter hole (under 1/6") the tool may need to be modified as shown below to ensure that the polyethylene is completely removed in the process.



Drilling

**ALPOLIC® CCM can be drilled with standard twist drills used for light metals and plastics.**

### WORKING SPECIFICATIONS:

- Drill bit: Twist drill, high speed steel.
- Tip Angle: 100-140 degrees, or counter-bore grind with centering tip.
- Cutting speed: 164 RPM to 984 RPM.

**Quick removal of chips can be achieved by a high RPM, slow feed speed and occasional lifting of the bit.**

# ATTACHMENT CONCEPTS

Please reference the joint details diagrams in the download section on [ALPOLIC-USA.com](http://ALPOLIC-USA.com)

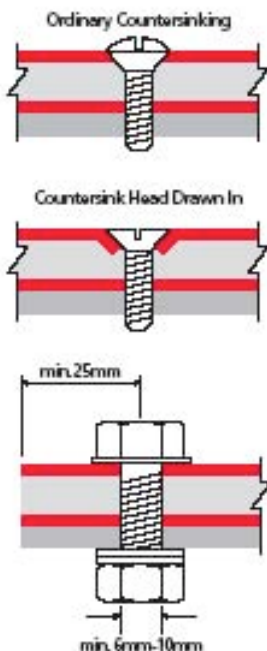
## JOINING ADHESION

Typical methods of joining ALPOLIC® CCM are the use of threaded fasteners, rivets, adhesives and double-faced high strength tapes. All fasteners must be of stainless steel. Proper consideration should be given to the thermal expansion characteristics of ALPOLIC® CCM,

Use the general guidelines listed below when other elements come in direct contact with the surface of ALPOLIC® CCM. When attaching the CCM panels to dissimilar metals consideration needs to be given to the possible corrosion of joining surface due to electrolysis. If these materials must be used, make sure that a protective coating or separation exists between the two surfaces.

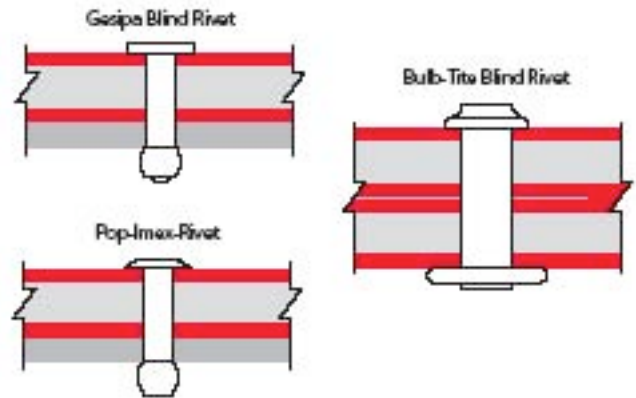
### Threaded Fasteners

When using threaded fasteners, caution should be taken not to over tighten the fastener. The examples below show different threaded fastening methods.



### Rivets

Rivets can be used to fasten ALPOLIC® CCM panels together or to aluminum extrusion profiles. Rivets are especially suitable for fastening when vibration is likely. Stainless Steel rivets should be used. Colored plastic concealment caps can be used to conceal exposed rivet heads.



### Adhesives & High Bond Tapes

When the ALPOLIC® CCM attachment surface is flat (i.e. wall, ceiling, sign board, etc.) construction adhesive or double-faced high bond tapes can be used for installation. See the technical bulletin on ALPOLIC and VHB tapes in the download section of [ALPOLIC-USA.com](http://ALPOLIC-USA.com). See recommended adhesive supplier for more details.

### Welding/Hot Melt

#### Hot Air Welding

This process is used to join ALPOLIC® CCM panels through a process of welding the polyethylene core.

#### Edge Preparation

ALPOLIC® CCM parts should have edges beveled to the corresponding angle of the finished part and allowing an exposed surface on the welded side. A low-density polyethylene rod should be used in conjunction with a high-speed hot air welder equipped with a pressing apparatus.

WELDING SPECIFICATIONS	
Welding Temperature:	446 - 464° F
Air Pressure:	0.10-0.14 lb/in

Pressing Pressure:	2.2-3.3lbs.
Welding speed:	40 in/min.

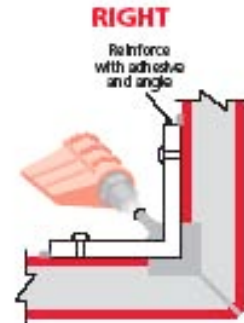
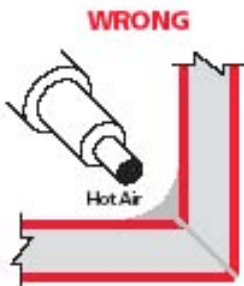
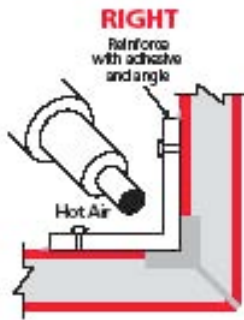
Conditions for Hot Air Welding

Welding Temperature	446 - 464° F
Pressure of air compressor	0.10 - 0.14 lb/in2
Pressing pressure	2.2 - 3.3lb
Welding speed	40 in/min.

Hot Melt

When using Hot Melt systems to bond ALPOLIC®, CCM be sure that the surfaces to be bonded have been abraded and cleaned.

Hot Melt adhesives designed for bonding Copper or similar metals are recommended. To insure the maximum bonding, please consult the adhesive manufacturer.



# APPENDICES

## *Masking*

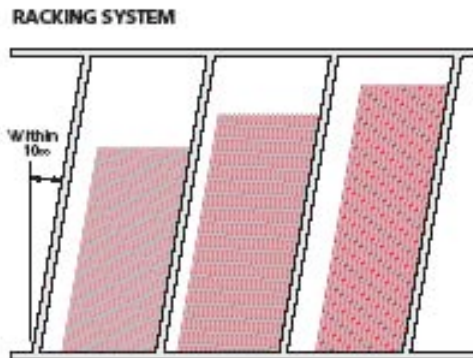
ALPOLIC® CCM comes with a factory applied protective masking film which should be removed after fabrication.

## *Storage*

ALPOLIC® CCM is packed in wooden crates and can usually be stacked up to four crates high.

*When storing unpacked ALPOLIC® CCM observe the following guidelines:*

- To prevent warping or bending, place it horizontally on pallet or other stand.
- Avoid stacking ALPOLIC® CCM of different sizes together, as the surface or panel can be scratched by the edges of the smaller pieces.
- Preferably, store them by size in racks.
- In storing them by leaning against the rack as shown below, lay a rubber mat underneath and lean the ALPOLIC® CCM closely against the fixed back-up material.



## **Cleaning**

The skins of the ALPOLIC CCM are natural copper. The copper skins will oxidize and patina with time. Cleaning is not recommended.

## **Post Patina Applications**

ALPOLIC CCM panels have been successfully treated with post patina processes to create an aged copper appearance. For information on companies offering this process contact the ALPOLIC<sup>®</sup> Hotline at 1-800-422-7270, or e-mail us at [info@alpolic.com](mailto:info@alpolic.com)